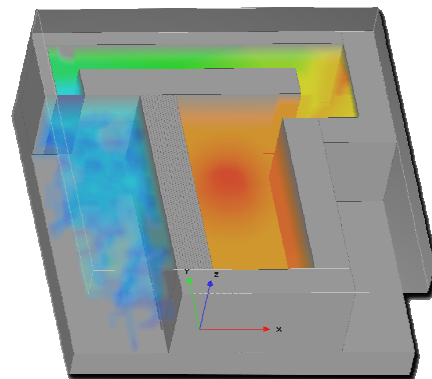


Due to the diversity of the radiation domain, our nuclear engineering experts operate as much in the field of **radiation protection** as in the study of **systems behavior** in a nuclear environment.

Your needs

- MC / **Installation design** in nuclear and medical environment
- **Workstations optimization** subject to radiative constraints
- **Maintenance** or **decommissioning** operation security
- **Nuclearization** of electronic systems and materials evaluation



Our solutions

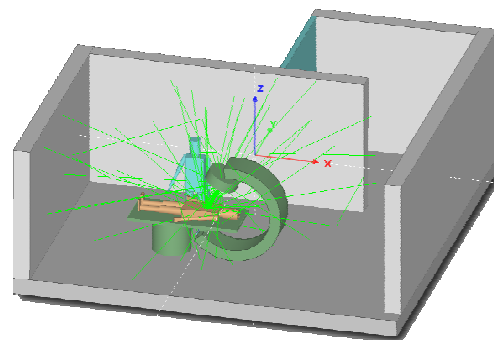
1. In design or modification phase

- **Design** of nuclear / medical buildings or facilities
- Design of **radiological protection**
- **Energy deposition** calculation (radiolysis, ozone production)
- Study of the **activation problematic**

2. In operational phase - Radiological risks analysis

In nominal - incidental - maintenance – decommissioning situation

- **Dose calculation** - external and internal contamination
- **Radiological zoning calculation** - 3D dose mapping
- Workstation study – **ALARA** protocole



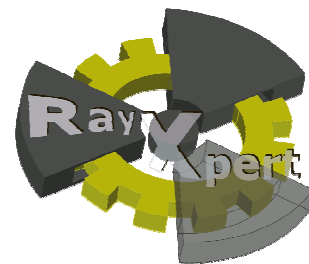
3. In systems reliability phase (Electronics & Materials)

- **Dose calculation** on sensitive elements level
- Test system characterization in radiative environment
- **Effects determination** and **lifetime estimation**
- Nuclaeirization solutions

Our added value : RayXpert[®]

Let us take care of your projects or use our 3D modeling software and photons / electrons dose calculation by Monte Carlo

- 3D design and **import**
- **Monte Carlo** calculation
- **Multi-source** and **multi-detector**



RayXpert[®] training sessions:
At TRAD or at your location

Our expertise

- 20 years experience in radiation
- RayXpert[®] software developer
- A global solution : Engineering & Test

They trust us :



For more information :

www.trad.fr

www.rayxpert.com

